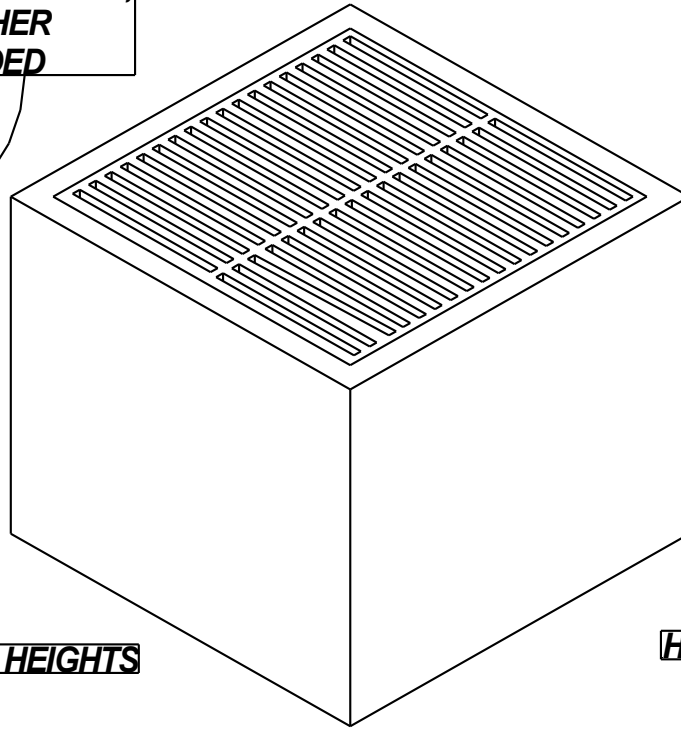
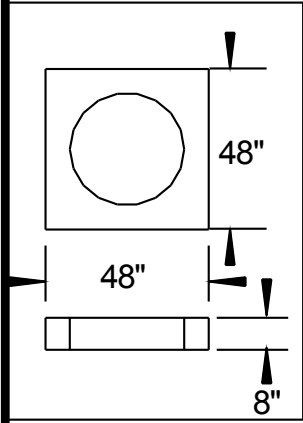


# STANDARD 30" X 30" CATCH BASIN

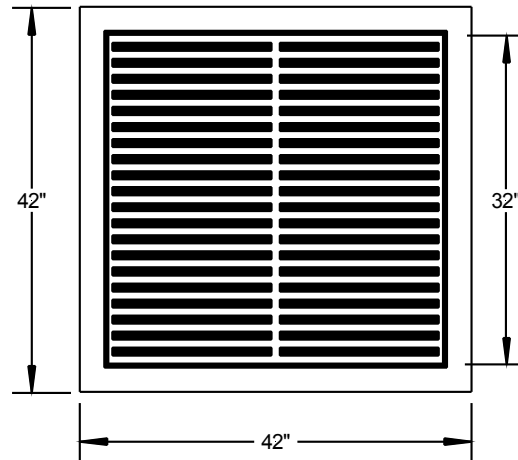
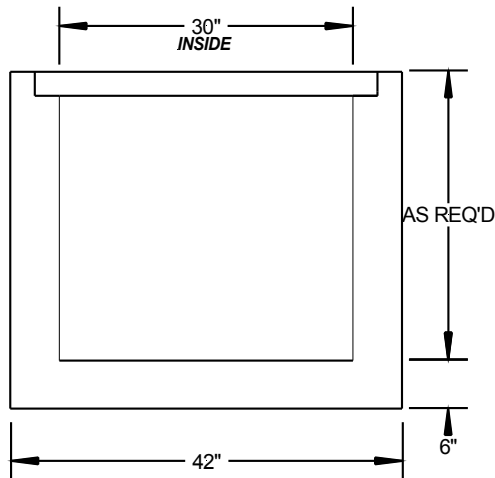
**IF JUNCTION BOX IS NEEDED,  
DELETE FRAME & GRATE AND  
ADD THIS LID--CAN BE POURED  
W/ 24/300 RING & COVER CAST IN,  
SOLID, OR WITH OTHER  
CASTINGS AS NEEDED**



**COMES STANDARD WITH  
WITH CAST IRON  
FRAME & GRATE**

**AVAILABLE IN VARIOUS HEIGHTS**

**HOLES AS NEED FOR PIPES**



MEETS OR EXCEEDS ASTM C478  
---4000 # REINFORCED CONCRETE IN 28 DAYS

H2O LOAD RATING

DATE: 8/10/09

SCALE:

**TYLER PRODUCTS SALES, INC.**  
**TPS**

**PRE-CAST CONCRETE PRODUCTS**

www.tylerproductssales.com

PH. 903-593-8633

FAX 903-593-8862